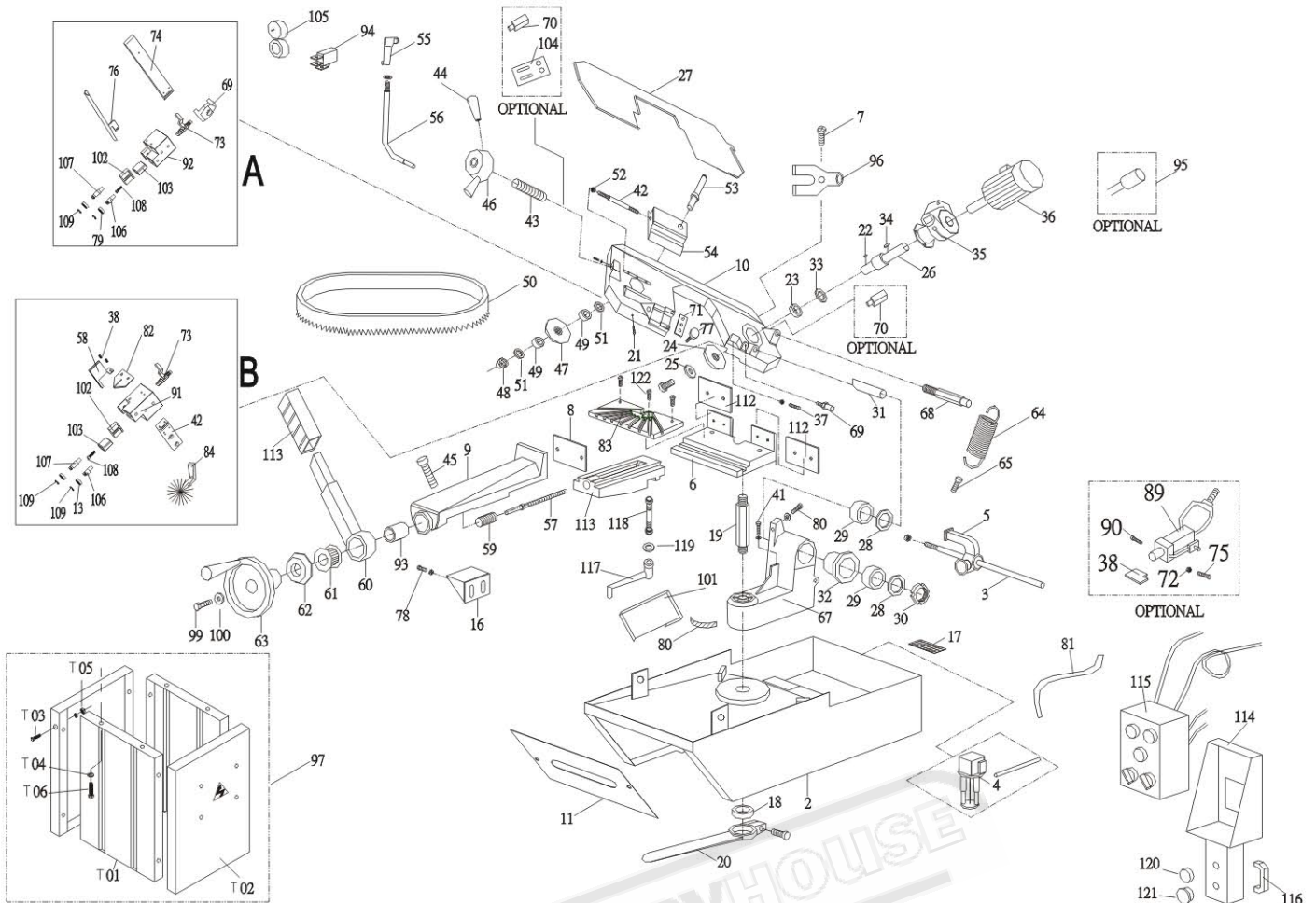


# EXPLODED VIEW



## DELIVERING OF SPARE PARTS

Please note: When ordering spare parts please always mention: Model of the machine, Serial number and Reference number of the part.  
**SHOULD REF. NUMBERS MISSING, NO SPARE PART WILL BE DELIVERED.**

## SPARE PARTS LIST FOR EB-280DS

Ref. No.	Description	Ref. No.	Description	Ref. No.	Description	Ref. No.	Description
1.	Washer	33.	Washer	64.	Spring	97.	Stand
2.	Base	34.	Key 4x25	65.	Spring connection	98.	Nut M10
3.	Bar stop rod	35.	Reducer	67.	Revolving arm	99.	Screw M8*15
4.	Cool pump	36.	Motor	68.	Rod	100.	Washer
5.	Bar stop	37.	Screw	69.	Stop bolt	101.	Plate
6.	Countervice	38.	Plate	70.	Micro switch(optional)	102.	Bladeguide unit square
7.	Screw M5	39.	Plug	71.	Block	103.	Bladeguide unit
8.	Vice jaw	40.	Micro switch(optional)	72.	Hex. nuts	104.	Blade tension guide
9.	Vice	41.	Screw M8	73.	Rubber connection	105.	Blade tension gauge (optional)
10.	Body frame	42.	Threaded shaft	74.	Arm	106.	Guide pivot
11.	Casing	43.	Spring washer	75.	Bolt	107.	Guide pivot
12.	Motor Fan	44.	Grip	76.	Blade guard	108.	33MM*MS screw
13.	Motor Cover	45.	Pin	77.	Handle	109.	C-ring
14.	Connection Plate	46.	Handwheel	78.	Screw M10	110.	Vice piece
16.	Arm	47.	Return flywheel	79.	Bearing 6082Z	111.	Screw
17.	Filter	48.	Hex. nut	80.	Screw M8	112.	Vice jaw
18.	Bush	49.	Bearings 2Z	81.	Water pipe	113.	Vice sliding seat
19.	Pin	50.	Saw blade	82.	Rust plate	114.	Switch shelf
20.	Lever	51.	C-ring	83.	Vice pad	115.	Electrical box
21.	Knob	52.	Hex. nuts	84.	Bush	116.	Handle
22.	Key 7x7	53.	Blade sheel shaft	85.	Switch set	117.	Handle
23.	Bearing	54.	Block blade tension	86.	24V switch set	118.	Bolt
24.	Motor flywheel	55.	Handle	87.	Scale	119.	Washer
25.	Washer	56.	Lever	89.	Hydraulic cylinder	120.	Revolving Hook
26.	Shaft	57.	Vice screw	90.	Pin	121.	Adjusting hook
27.	Blade cover	58.R.	Bladeguard	91.	Fixed bladeguide plate	122.	Screw
28.	Ring nilons	59.	Vice spring	92.	Mobile bladeguide plate		
29.	Bearing 32006	60.	Vice lever	93.	Bush		
30.	Ring nut M30	61.	Bearing	94.	Toger switch		
31.	Pivot	62.	Bearing cover	95.	Condenser(motor)(optional)		
32.	Bearing cover	63.	Vice handwheel	96.	Coolant distributor		